

INDOOR PS WALL PANEL

Installation Guide



Read All Section Before You Install

To get latest information, please visit our website: www.homywpc.com

These installation guidelines will direct you through the process of installing Homy products. These installation methods are recommended by Homy, but they may not cover every installation scenario you may encounter. Since each installation is unique in its performance requirements, the ultimate installation method used is the sole responsibility of the installer. Homy recommends that all designs be reviewed by a licensed architect, engineer or local building official before installation. Make sure your plans meet local building codes before you begin the installation.

Safety

Appropriate safety equipment is necessary when you deal with any type of construction project. Homy highly recommends, but is not limited to the following safety equipment: gloves, a respiratory protection, long sleeves, pants, and safety glasses.

Planning Ahead

To determine how much Homy panel material you will need, start by calculating the square footage of your wall surface by multiplying length by width. When calculating the amount of panel you will need, it is recommended that you add roughly 10% to the total for a scrap factor. A layout for your timber should be planned before starting installation to ensure the best possible looking panel for your project. Building codes and zoning ordinances generally apply to permanent structures, meaning anything that's anchored to the ground or attached to the house. So nearly every kind of timber requires permits and inspections from a local building department. We recommend drawing out a site plan of your proposed project that you intend to do to minimize errors and make your perfect wall panel.

Expansion and Contraction

Homy panel planks will experience expansion and contraction with changes in temperature. Expansion and contraction are most significant where extreme temperature changes occur. Changes in length are most significant during the installation process, and should be taken into account if working in extreme temperatures. A good example would be cutting your planks during a hot afternoon, letting them sit outside overnight in the cool air and then installing them the next morning, and you will notice a certain amount of contraction. The best way to minimize this problem is to fasten your planks after cutting as soon as possible.

01



Read All Section Before You Install

To get latest information, please visit our website: www.homywpc.com

Environment

You need a clean, smooth, flat and strong surface to install Homy products. Make sure your plans meet local building codes before installing any type of plans if installation is not that urgent.

Tools

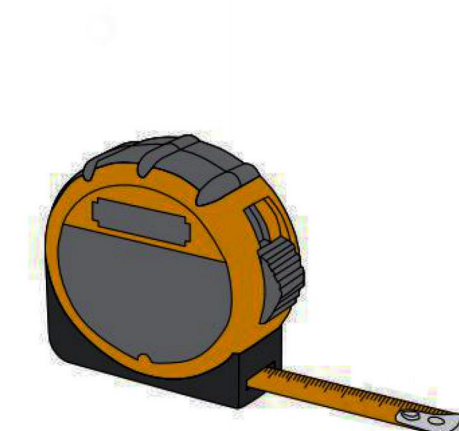
The tools you need for this installation are illustrated below:



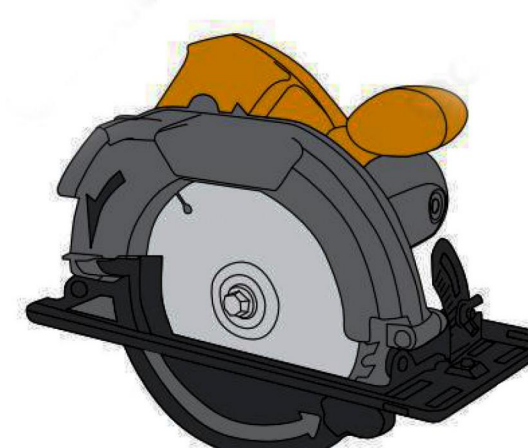
Electric Drill



Guiding Rule



Tape Measure



Saw



Nail-free Adhesive

Read All Section Before You Install

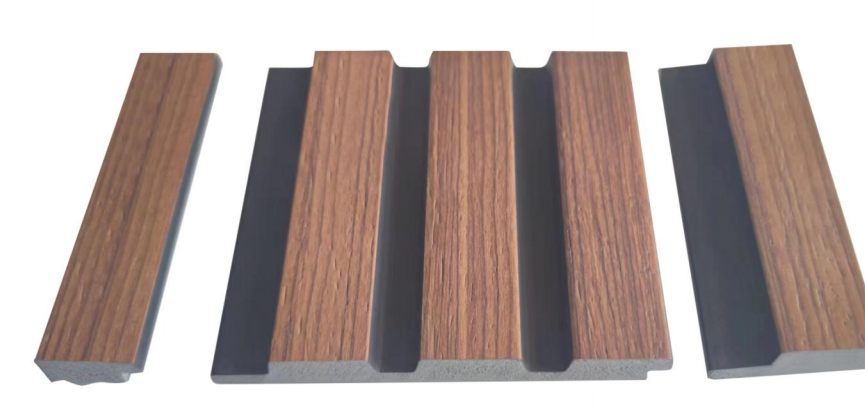
To get latest information, please visit our website: www.homywpc.com

Profiles



Accessories

Note: You can determine your own accessories according to the installation area.



HM-F01 Edge Trim



HM-F02 Edge Trim



HM-F03 Edge Trim



HM-F04 Edge Trim

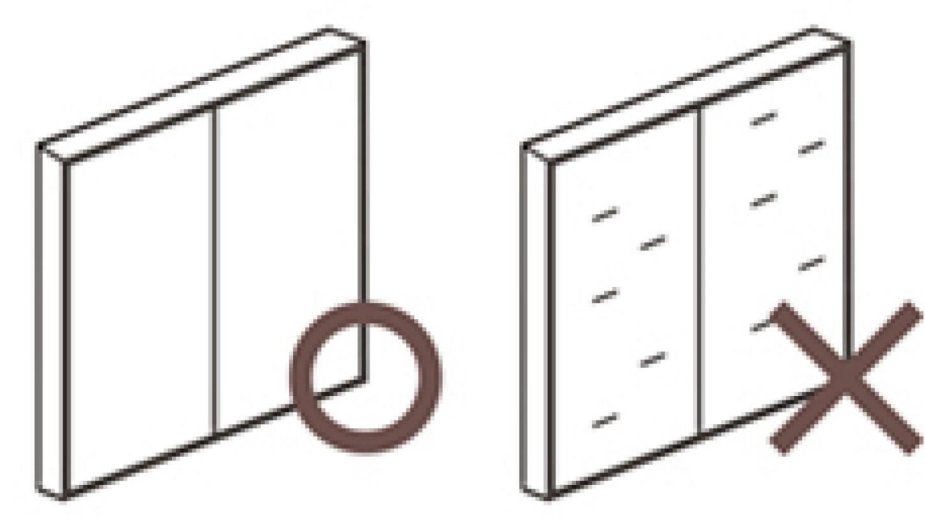
02



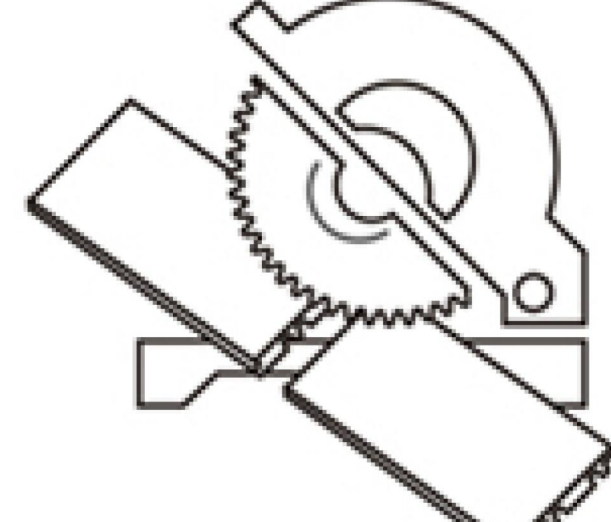
03



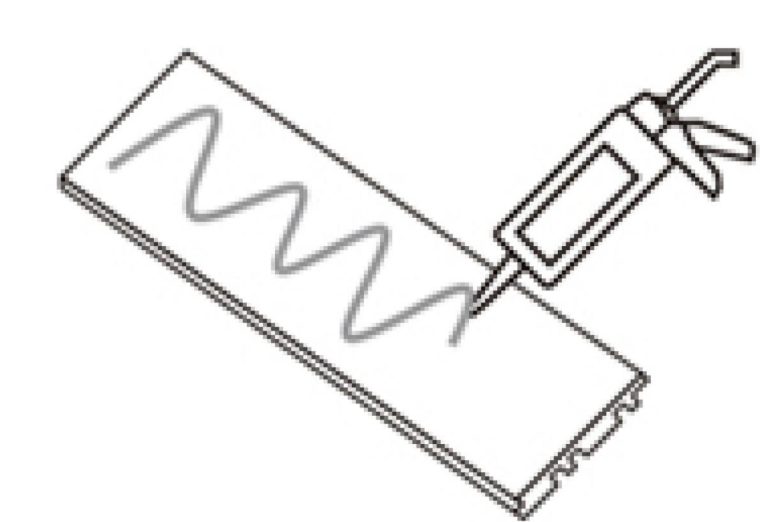
Installation Process



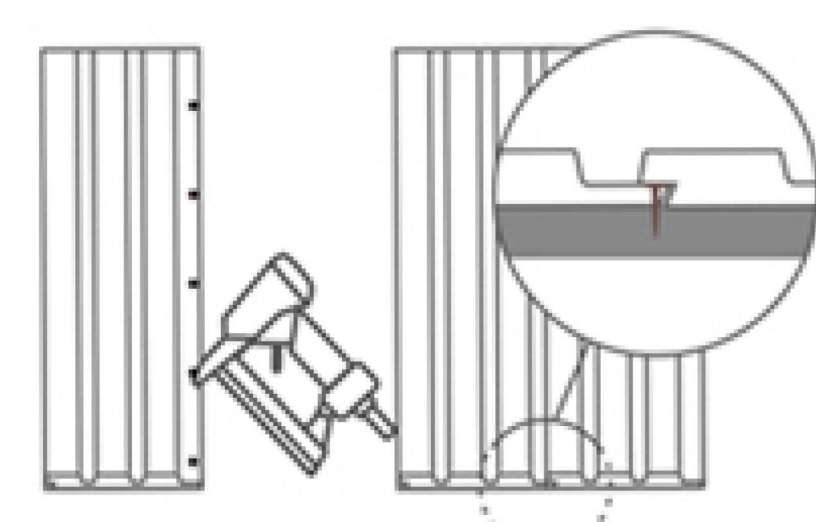
1. Prep-work with plaster board or plywood is recommended before the installation. Please remove wallpapers on the walls before the installation.



2. Circular saw can be used for cutting.



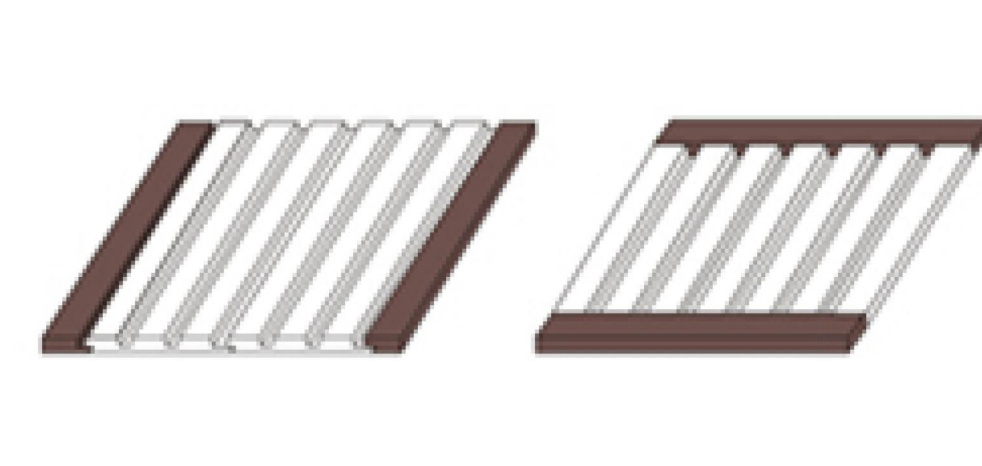
3. Apply Nail free glue on the back of wall panel.



4. Wall Panels can be installed in both horizontal and vertical direction. Apply air-tacker on the edge of the tongue to hide the pin-marks.



5. For Corner, combine the two grooves.



6. Coordinating edge trims can be used for more nice finish.

04

